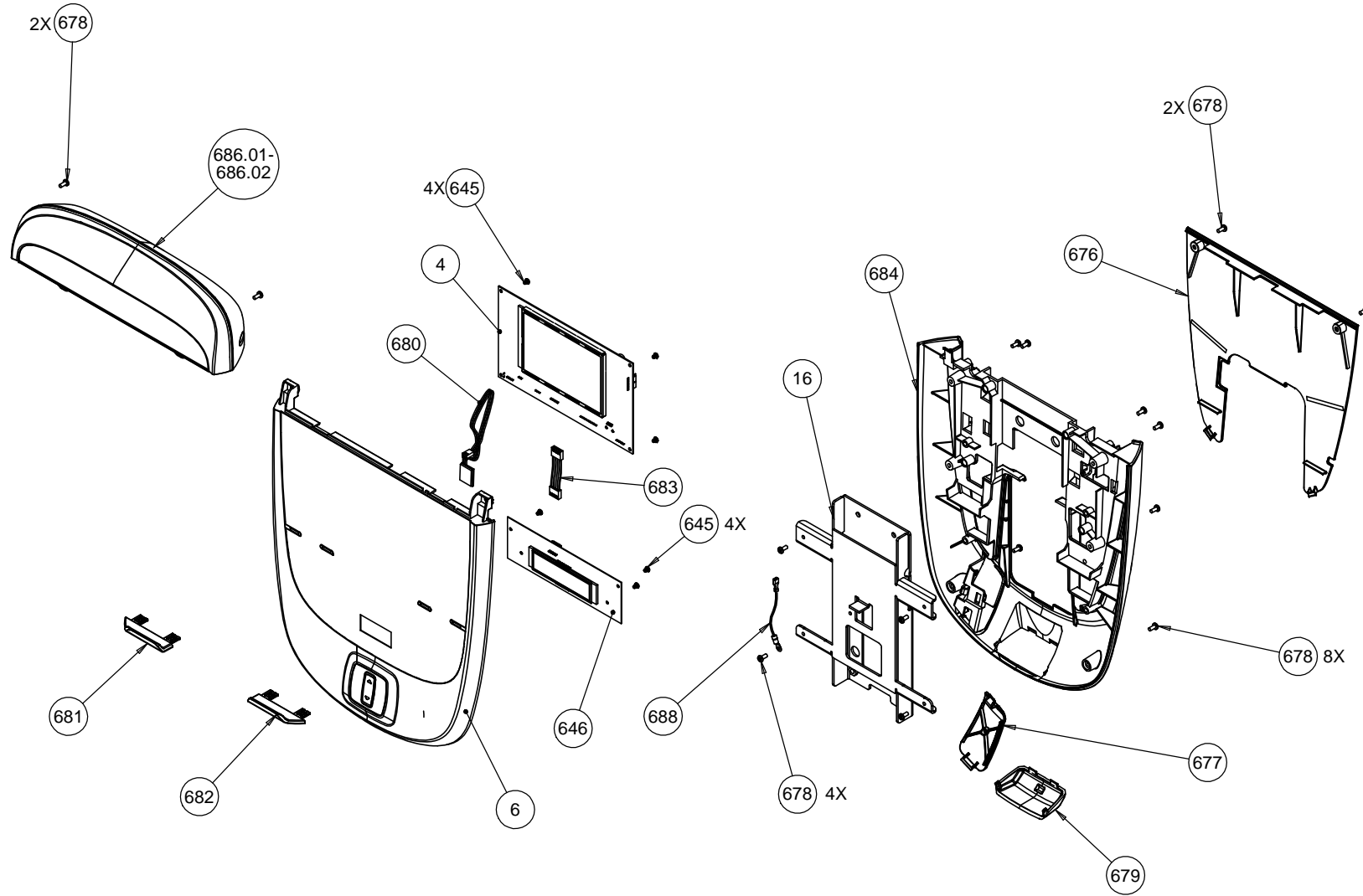


C

B

A



AMT 825 ONLY

PRODUCT:
P20 CONSOLE

PRECOR

DRWN BY	06.12.13	WDC	SIZE	PAGE	OF	DWG. NO.	SUBREV
CS	05.06.13	BG	A	1	1	302719-101	A

P20_CLM10 (AJPL)

Bubble Number	Parts Number	Description
676	300278-101	PLASTIC, SERVICE COVER, DISPLAY, P2
677	300283-101	PLASTIC, HR DOOR, P40/P20
678	MGCN016-038	SCREW,MCH,8-32X3/8,PANHD,PHIL,
679	300203-101	PLASTIC,HP,PLUG,ATLAS
680	300233-101	ASSY,HEART RATE,5.5KHZ,5V,RECEIVER
681	300282-103	SUPPORT,BOOK,LEFT,P40/P30/P20
682	300282-104	SUPPORT, BOOK, RIGHT, P40/P30/P20
683	300462-003	ASSY,CBL,6C .1 CTR, 1-6,SN,3 in.
686.01	300205-102	PRODUCT,BLANK CAP,P20/P30/P40
688	40010-008	ASSY,CBL,1C,20AWG,#8 RING/.110X032
998	302402-201	LITERATURE KIT, P20 (ALL), EN